



YKX300-Q3

INSTRUCTION MANUAL

 Guilin Woodpecker Medical Instrument Co., Ltd.
Information Industrial Park, Guilin National High-Tech
Zone, Guilin, Guangxi, 541004 P. R. China

Tel:
Europe Sales Dept: +86-773-5873196
North/South America & Oceania Sales Dep.: +86-773-5873198
Asia & Africa Sales Dep.: +86-773-5855350 Fax: +86-773-5822450
E-mail: woodpecker@glwoodpecker.com, sales@glwoodpecker.com
Website: <http://www.glwoodpecker.com>



Scan and Login website
for more information



Please Recycle





Higher Efficiency



Real-time Data



Child Lock



Budgets



Low Noise



Automatically Adjusts



No HEPA



About Plasma Air Purifier Q3

We pushed the bounds of air purification technology to develop a best-in-class air purifier that combats the indoor air pollutants found in every building. An optimized aerodynamic design enables high-volume airflow so that your air gets cleaner, faster and more quietly.

The Plasma Air Purifier Q3 air purifier puts your health and the health of the environment first. You'll stop inhaling everyday indoor air pollutants and breathe cleaner air than with any of the more traditional air purifiers on the market (like HEPA). Plus you'll save time, money, and the planet with our energy-efficient and WASTE-FREE design.

No more HEPA filters, just wash.

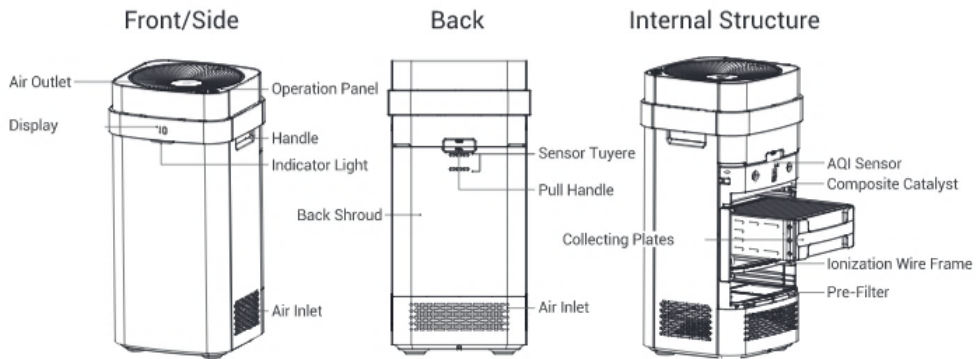


Easy-to-wash in a dishwasher or by hand.

Packing List

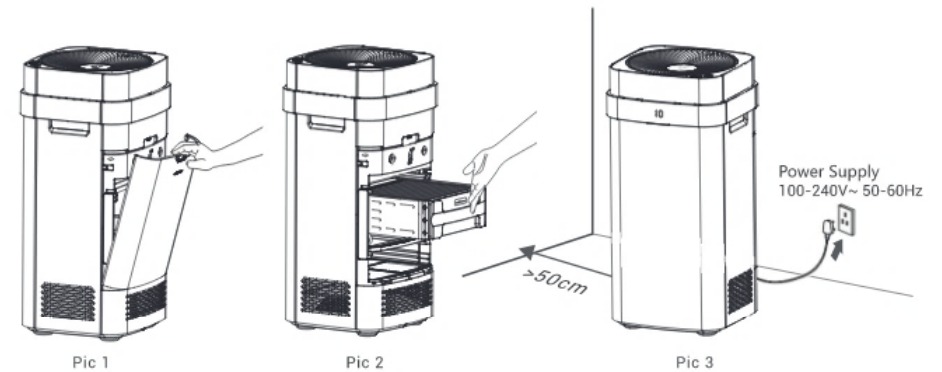
Air Purifier Main Body × 1 Collecting Plates × 1 Instruction Manual × 1

Components



Installation Guide

1. Take the collecting plates out of the foam box
—If any styrofoam packaging pieces are on the plates, blow or brush them out before installing the collecting plates;
2. Use the pull handle to open the back shroud (Pic1);
3. Insert the collecting plates in the orientation described on the label (Pic2);
4. Close the back shroud and place the air purifier in an open location to achieve the best cleaning effects.





Plasma Air Purifier
Operation button is locked.

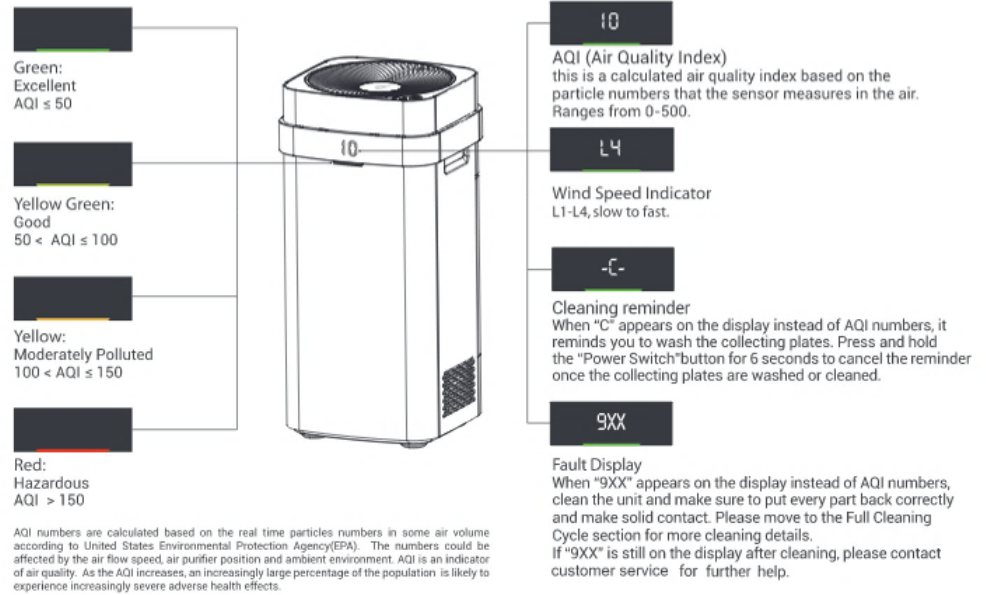
Auto Mode Indicator
When this light on, the air purifier is running under automatic mode. It automatically senses the air quality and adjusts its running speed according to the air quality level. This is the most energy efficient mode and we recommend keeping the purifier in this mode most of time.

Power Switch
A short press (approximately 1 second) turns the power ON. A long press (over 3 seconds) turns the power OFF. When power is ON, each short press cycles through auto-mode ON/OFF, different fan speeds, sleep mode, etc...Check indicator lights to understand each operation mode.

Sleep Mode Indicator
In sleep mode, your air purifier is still cleaning your air but in quieter low-speed mode. Also to avoid light disturbance, all display lights are OFF.

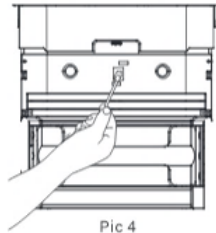
Wind Speed Indicator Light
Left Light : Slow Mode
Middle Light : Mid-speed Mode
Right Light : High Speed Mode
ALL Lights : Turbo Mode

Display and Air Quality Indicator Instruction



Air Quality Sensor Cleaning

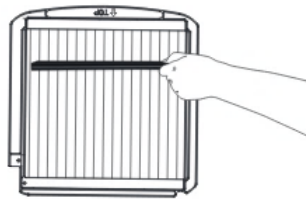
Plasma Air Purifier Q3 has an embedded air quality sensor. To keep the air quality sensor reading correctly, please clean the sensor as illustrated every 6 months, using dry or with rubbing alcohol cotton swabs as illustrated.



Pic 4

Ionization Wire Frame Cleaning

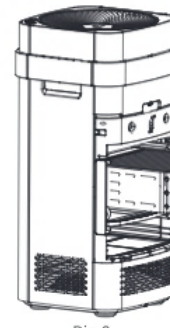
1. We recommend you to clean the Ionization Wire Frame when the air purifier appears abnormal sounds, such as "popping or cracking".
2. Use soft cloth or sponge to clean the Ionization Wire Frame track by sliding up-down gently.
3. Insert the Ionization Wire Frame in the direction of labeling.



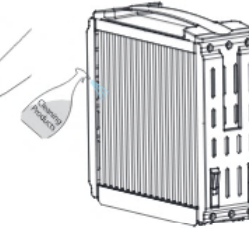
Pic 5

Collecting Plates Cleaning

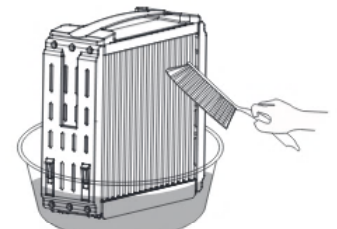
1. We recommend you to clean the collecting plates when the air purifier display "-[-" .
2. Cut the power, open the back shroud and pull out the collecting plates (Pic 6).
3. Put collecting plates into a container and use a cleaning brush to clean external sheet metal finishing by water (Pic 7).
Remarks: a. It is better to use detergent and soak for around 10 mins before brushing the collecting plates. Do not soak for too long in order to protect the normal functions of collecting plates (Pic 8).
b. Choose the neutral detergent. DO NOT USE corrosive detergent, such as daily laundry powder.
c. Do ignore the small stains on the surface of the sheet metal as it will not seriously affect the use of the air purifier.
4. Dry the collecting plates after cleaning, it can either use hair dryer or the nature sunlight (recommend over 24 hrs).
5. Put back the collecting plates in the direction of labeling.



Pic 6



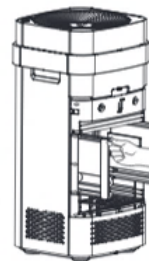
Pic 7



Pic 8

Full Cleaning Cycle

1. We recommend a complete cleaning every 6-12 months.
2. First, unplug the power supply. Open the back shroud, pull out the ionization wire frame and collecting plates. Pull out the protective rubber sleeve as illustrated in (Pic 9).
3. Clean the ionization wire frame and collecting plates properly according to the previous instructions.
4. Use a wet cloth to wipe down all surfaces of the protective rubber sleeve, including notches. For better result, wash the entire rubber sleeve in water.
5. Clean the inner walls of the air purifier with a wet cloth.
6. Wash the pre-filter in water, or clean it by vacuum.
7. Dry the parts completely, then put them back in order.



Pic 9

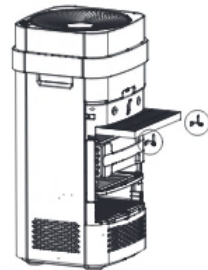


Pic 10

Catalytic Gauze Cleaning

The composite filter is composed of a composite catalyst, and active carbon. In principle the catalyst is not involved in the reaction and should not be changed. However, if the catalyst becomes coated with dust, odor or moisture then the catalytic effect will decrease. Protect the device with the provided cover whenever it is not powered up to help extend the catalyst life. A periodic sunbath for 1-2 hour may also help to reduce the moisture build up and reactivate the catalytic effect.

The shelf life of the composite filter depends on how much you use the purifier. Change the composite every year or two, or whenever you notice a significant decrease in the purifier's ability to remove odors from the air.



Pic 11

CL-20190923-01

Note:

Please make sure the power has been cut off before any cleaning and maintenance

Q&A

Q1: I am concerned about the product safety, may I know more details?

Q3 is built around Safety 1st! We have implemented the following:

- A. Smart control: The "smart electronics" control circuit continually monitors the current and voltage levels, and suppresses them whenever there's any abnormal situation;
- B. Anti-fire: Plasma Air Purifier Q3 is manufactured with the highest V0-grade fire retardant plastics housing;
- C. International reputable third-party verification: Plasma Air Purifier Q3 has passed safety test requirements including but not limited to CE, FCC, CQC etc.

Q2: Plasma Air Purifier Q3 uses high voltage inside, is it safe for home use?

Plasma Air Purifier Q3 uses an advanced electronic design built around safety. The power consumption of Airdog is equivalent to a small light bulb. It has high voltage inside but very low current in the order of micro-amps. The high voltage runs on direct current to avoid any possible electronic perturbation.

Q3 : Do I have any maintenance cost if I own an Plasma Air Purifier Q3 ?

Plasma Air Purifier Q3 is a cost effective and environmental green solution.

A. Collecting plates in Plasma Air Purifier Q3 is washable and reusable, so no more spending on HEPA filters and others. Composite catalyst gauze is reusable, you may put it directly under the sunlight for 1~2 hours to refresh it. However, some customers might be very sensitive to any smell and might have to change the composite catalyst layer every 6-24 months to refresh the smell. The cost of the catalyst layer is only a small fraction of the cost of HEPA. To replace the catalyst layer, please contact your sales resource where you bought Plasma Air Purifier Q3.

Q4: How could I know that my air purifier is cleaning the air?

The best part of Plasma Air Purifier Q3 air purifier is that you could see the effect by your own eyes! You will notice the AQI (Air Quality Index) number decreasing when the air purifier is on. Also, after using Plasma Air Purifier Q3 for a week, you can actually see many of the pollutants absorbed on the collecting plates when you take the plates out of Plasma Air Purifier Q3 to clean.

Q5: Why the AQI display is abnormal on LCD screen, display "-C-" or "9XX" instead of digits?

Display of "-C-" means it is time to do a cleaning.

The "9XX" is an electronics abnormal signal. Please unplug the unit and do a full clean cycle and restart. If the "9XX" still exists, please contact customer service for further instructions.

Q6: Why isn't the AQI display changing number?

The dust accumulated on the sensor could cause insensitivity of sensors. Please clean the sensor with a dry cloth or a cotton swab with alcohol.

Q7: I heard a "cracking" or "zapping" noise inside the unit. Is that normal?

The occasional "zapping" or "cracking" is normal when the bigger particles enter the air purifier, being zapped by the high voltage, similar to when a bug zapper traps a bug. However, if the "cracking" or "zapping" noise is constant, you should clean the unit and make sure that all parts in the unit are fully dried after you clean the unit. 80% of the noise issues are caused by dust accumulation on the collecting plates and/or inner chamber, or by wet collecting plates. Normally a full clean cycle will take care of this all.

Q8: When should I do a full cleaning cycle?

- A. When "-C-" is on the display screen.
 - B. "9XX" appears on the display screen even after cleaning the collecting plates.
 - C. Cracking sounds still exist after cleaning the collecting plates.
 - D. The unit shuts down and restarts automatically.
- Note: Please refer to the "Full cleaning cycle" section in the user manual for details.

Q9: Can I clean Plasma Air Purifier Q3 by putting the whole unit in the dishwasher?

You should not put the whole Plasma Air Purifier Q3 unit into the dishwasher! Only the collecting plates is OK to be washed by a full wash cycle. Please make sure the collecting plates unit is fully dried before putting it back into your Plasma Air Purifier Q3. There could be water residue inside of the collecting plates even after the drying cycle sometimes, so make sure to take the time to fully dry them.

Q10: How could I confirm that the collecting plates is fully dried?

Please put the collecting plates in a dry space for at least 24 hrs. You may put tissues or a paper towel under the collecting plates to check if it is fully dried.



Technical Specification

Model	YKX300-Q3
Applicable area	375 SQF or 35 m ² *
CADR _{particulate}	200 CFM or 350 m ³ /h*
Noise (dB(A))	≤63
Rated Power (W)	55
Power	100-240V~ 50/60Hz
Weight (kg)	10.7
Size (m)	0.65 (H) +0.316 (L) +0.306 (W)



Guilin Woodpecker Medical Instrument Co., Ltd.

