



ios[®]3

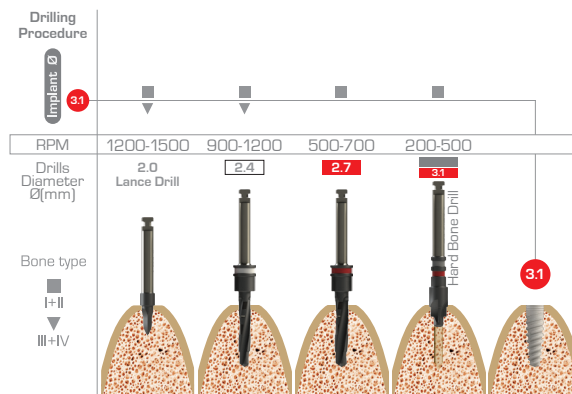


SPEEDY HEX
Conical Connection

Astra Tech™ TX Compatible*

Slim Platform

	
Ø	3.1mm
L	
10mm	i3-OS-SP3010
11.5mm	i3-OS-SP3011
13mm	i3-OS-SP3013
15mm	i3-OS-SP3015



* Registered trademarks are owned by their respective companies and there is no commercial relationship with Edison Medical. Its mention is made for proper identification purpose of the dental implants with which the Edison Medical abutments can be used.