


No More than what you *want*,
No Less than what you *need*.

i3D *Smart*



-  **ONE SCAN, TWO IMAGES**
-  **EXTENDED ARCH SHAPED FOV**
-  **INNOVATIVE COMPRESSED SENSING TECHNOLOGY**
-  **3D SCANNING FOR MODEL**

SMART INNOVATION

ONE SCAN, TWO IMAGES

One scan with the i3D Smart gives you not just a CT image but also an Auto Pano image. This means, patients who require both images do not need to undergo two x-ray scans. Also, CT and Auto Pano images are displayed within one viewer.



* Conventional panorama mode is provided.



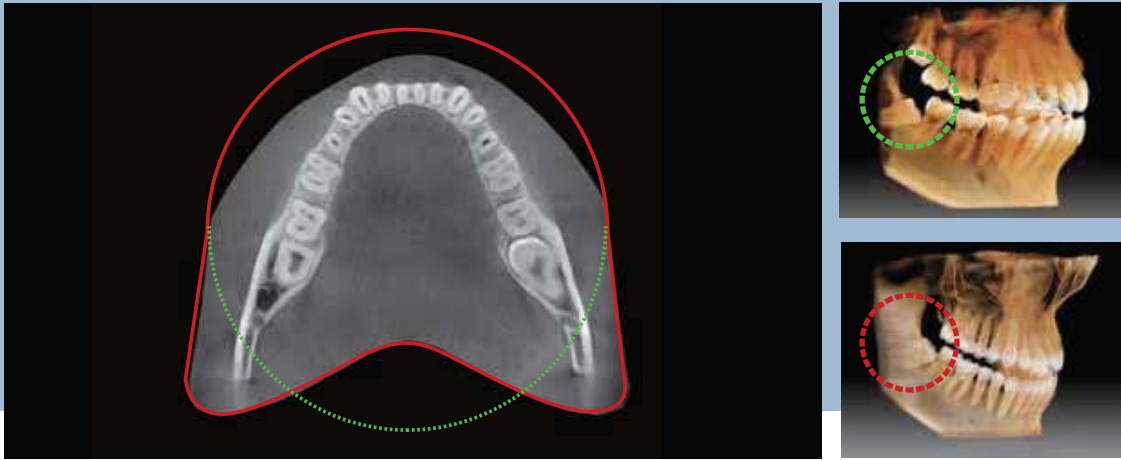
[2D AND 3D IN ONE VIEWER]

Viewing 2D and 3D images together provides many benefits. There is no need to utilize two different software programs and the one viewer feature presents a professional look for your patients.

This layout helps patients better understand the images, which will eventually result in increasing acceptance rates.

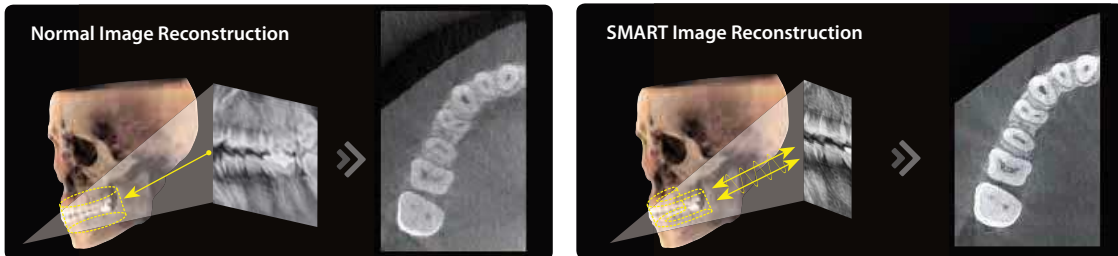
EXTENDED ARCH SHAPED FOV

The innovative FOV of i3D Smart provides an arch-shaped volume, which shows a wider view of dentition compared to other devices of the same FOV. When the tooth is lying on its side, there is a high possibility that the tooth will be cut out of the image. The “arch-shaped volume” eliminates this possibility and shows the hidden dentition area.



INNOVATIVE COMPRESSED SENSING TECHNOLOGY

3D image quality has dramatically improved based on the innovative image reconstruction technology.



3D SCANNING FOR MODEL

3D model scan enables users to store plasters as digital models.

DIGITIZED ONE-STOP CLINIC



CAD/CAM integration
 • Sufficient level of detail for surgical guide design



Specially designed Jig
 • Stable platform from partial model to full model scanning

* 3D scanning for Plaster Cast with FOV 10x8.5 (cm)

PRODUCT CONFIGURATION

	CBCT	PANO	CEPH
i3D Smart	•	•	
i3D Smart RC	•	•	•

SPECIFICATIONS (i3D Smart : PHT-35LHS)

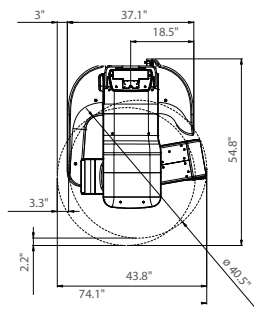
Function	CT (with Auto Pano) + Pano + Ceph + Model Scan	
Focal Spot	0.5 mm (IEC 60336)	
CT FOV Size	5x5 cm / 10x8.5 cm (Anatomical 12x9 cm)	
Voxel Size	0.08 mm / 0.12 mm / 0.2 mm / 0.3 mm	
Scan Time	CT	18 sec
	Pano	14.1 sec / 7 sec
	Ceph	1.9 sec / 3.9 sec
Gray Scale	14 bit	
Tube Voltage	60 ~ 99 kV	
Current	4 ~ 16 mA	
Weight	With Ceph unit	357.1 lbs

*The specifications are subject to change without prior notice.

DIMENSIONS (Unit: inch)

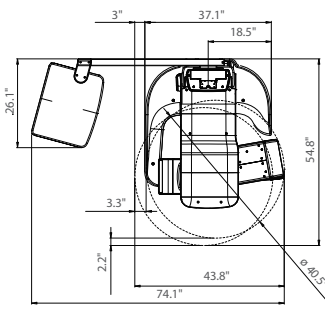
Without CEPH unit

TOP VIEW

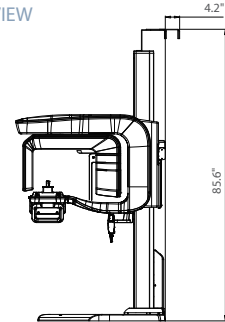


With CEPH unit

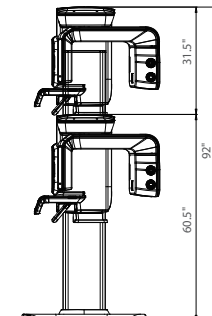
TOP VIEW



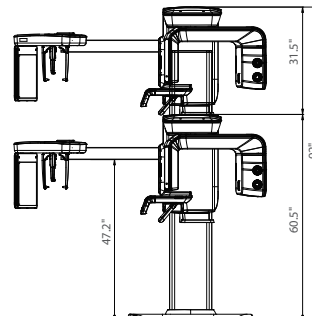
SIDE VIEW



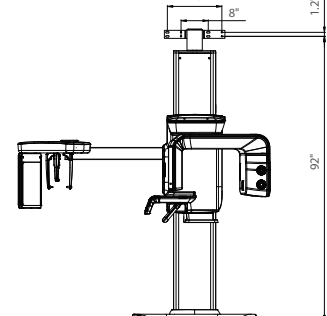
FRONT VIEW



FRONT VIEW



FRONT VIEW



***An additional 3 inches (76.2 mm) of space is required behind the unit for wall mount bracket installation (mandatory unless there is a base mount installation).**